

FEATURES:

- SOLID COPPER CONSTRUCTION
- PORCELAIN MINI WEDGE SOCKET WITH 6R 18/2 POWER LEAD

FINISHES:

- NATURAL COPPER
- ANTIQUE COPPER
- VERDE
- ANTIQUE RUST

LAMPS:

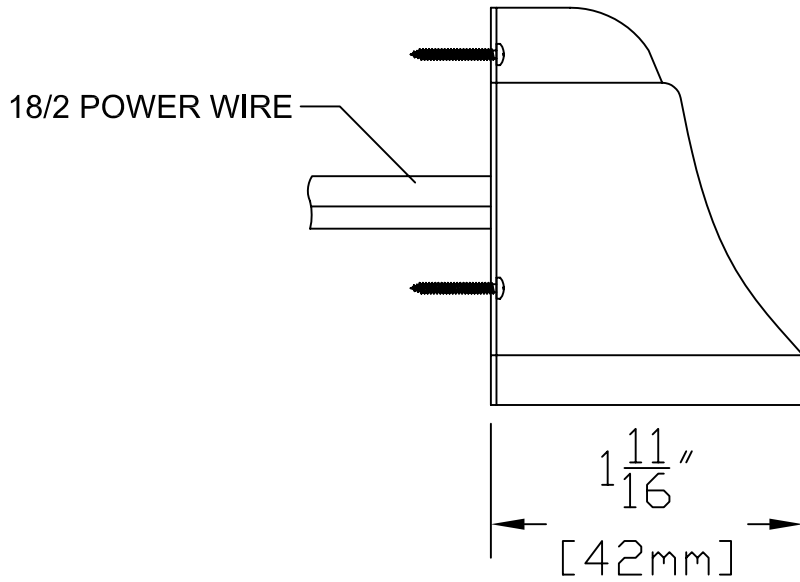
- 11 WATT MINI WEDGE BASE, AVAILABLE IN 7 & 18 WATTS
- 18 WATT MAXIMUM

STANDARD MOUNTING:

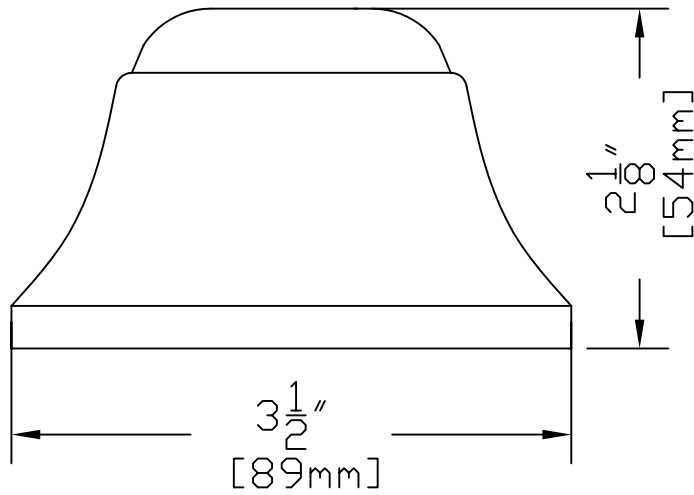
- FLUSH MOUNT WITH 2 SCREWS

ACCESSORIES:

- 25ft & 50ft 16/2 LEADS AVAILABLE



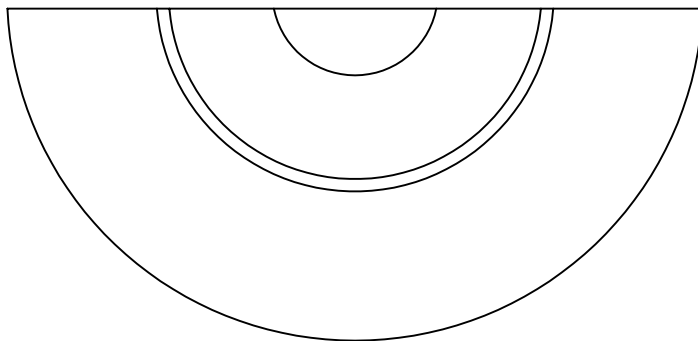
SIDE VIEW WITH DIMENSIONS



FRONT VIEW WITH DIMENSIONS



SHOWN IN ANTIQUE FINISH



TOP VIEW



CopperMoon DECK, SURFACE & STEP
CM.825

901 3rd AVE.
WEST POINT, GA. 31833
1.800.727.5483
www.coppermoon.com

SIZE	DRAWN BY:	CLASSIFICATION:	DATE:
A	CRAIG SANDERS	DECK, SURFACE & STEP	MARCH 30, 2010