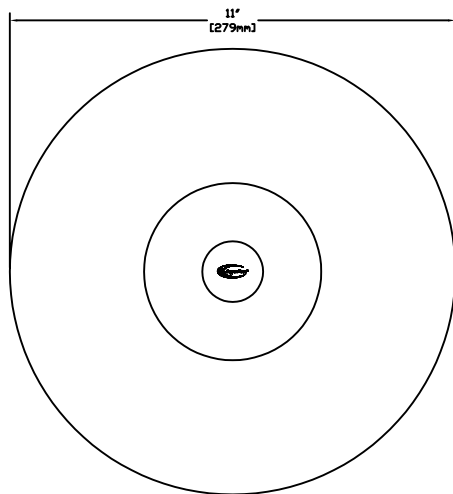


SIDE VIEW WITH DIMENSIONS



TOP VIEW WITH DIMENSIONS

**FEATURES:**

- SOLID COPPER SPUN TOP
- SOLID COPPER TWISTED ROPE STEM
- BRASS ADJUSTABLE SET SCREW
- PORCELAIN SOCKET WITH 4ft 18/2 POWER LEAD

**FINISHES:**

- NATURAL COPPER
- ANTIQUE COPPER
- VERDE
- ANTIQUE RUST

**LAMPS:**

- 20 WATT BI-PIN
- 20 WATT MAXIMUM

**LENS:**

- 37.8mm x 2.8mm x 3.75in CLEAR TEMPERED GLASS

**STANDARD MOUNTING:**

- BLACK ABS GROUND STAKE 8 3/4" LONG WITH FEMALE 1/2" NPT
- OPTIONAL BRASS GROUND STAKE 9 1/2" LONG WITH FEMALE 1/2" NPT

**OPTIONAL MOUNTS:**

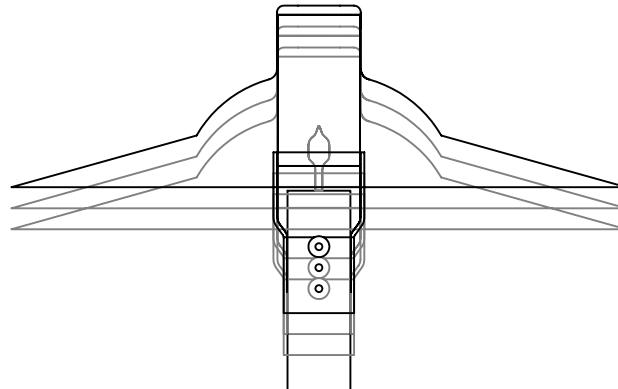
- COPPER STEM RISERS-1" DIAMETER STEM RISER WITH 1/2" FEMALE NPT OR 3/4" DIAMETER WITH 1/2" FEMALE NPT.
- AVAILABLE IN CUSTOM HEIGHTS.

**ACCESSORIES:**

- 25ft & 50ft 16/2 LEADS AVAILABLE




SHOWN IN NATURAL COPPER



SIDE VIEW WITH RANGE



		<b>CopperMoon PATH LIGHTS</b> <b>CM.750/10</b>	
901 3rd AVE. WEST POINT, GA. 31833 1.800.727.5483 www.coppermoon.com			
SIZE A	DRAWN BY: CRAIG SANDERS	CLASSIFICATION: PATH LIGHTS	DATE: MARCH 30, 2010