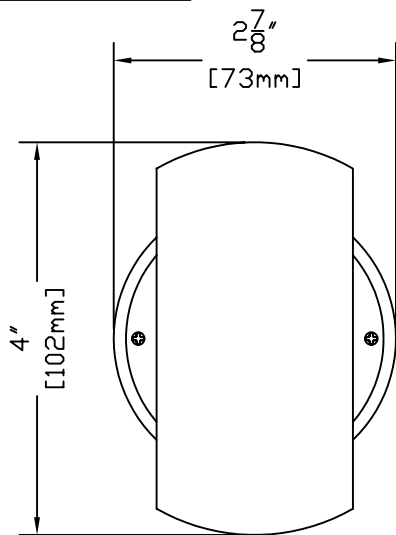
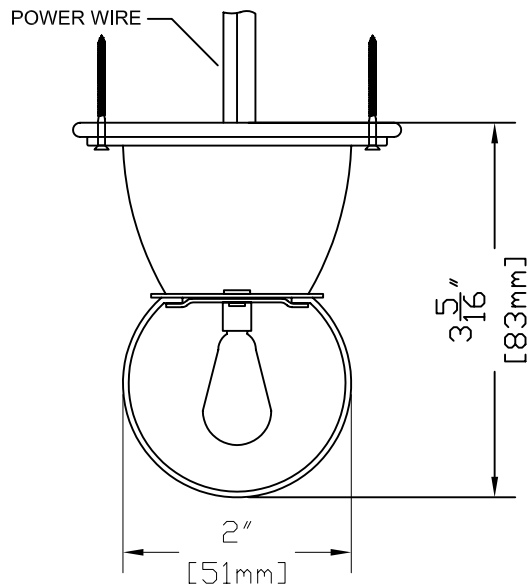


SIDE VIEW WITH MOTION



FRONT VIEW



TOP VIEW WITH DIMENSIONS

FEATURES:

- SOLID COPPER CONSTRUCTION
- COPPER BERYLLIUM SOCKET WITH 6ft LEAD

FINISHES:

- NATURAL COPPER
- ANTIQUÉ COPPER
- VERDE
- ANTIQUÉ RUST

LAMPS:

- 11 WATT MINI WEDGE BASE, AVAILABLE IN 7 & 18 WATTS
- 18 WATT MAXIMUM

STANDARD MOUNTING:

- FLUSH MOUNT WITH 2 SCREWS

ACCESSORIES:

- 25ft & 50ft 16/2 LEADS AVAILABLE



SHOWN IN ANTIQUE FINISH



901 3rd AVE.
WEST POINT, GA. 31833
1.800.727.5483
www.coppermoon.com

CopperMoon AREA & OTHER
CM.400

SIZE	DRAWN BY:	CLASSIFICATION:	DATE:
A	CRAIG SANDERS	AREA & OTHER	MARCH 30, 2010