

## FEATURES:

- DIE CAST BRASS HOUSING
- DIE CAST BRASS EYEBROW
- GRATE FACE PLATE (OPTIONAL)
- FLUSH MOUNT PLATE (OPTIONAL)
- HIGH HEAT GASKET
- BERYLLIUM ARTICULATING 15 DEGREE +/- SOCKET WITH 6ft 18/3 POWER LEAD

## FINISHES:

- RAW BRASS
- ANTIQUÉ BRASS

## LAMPS:

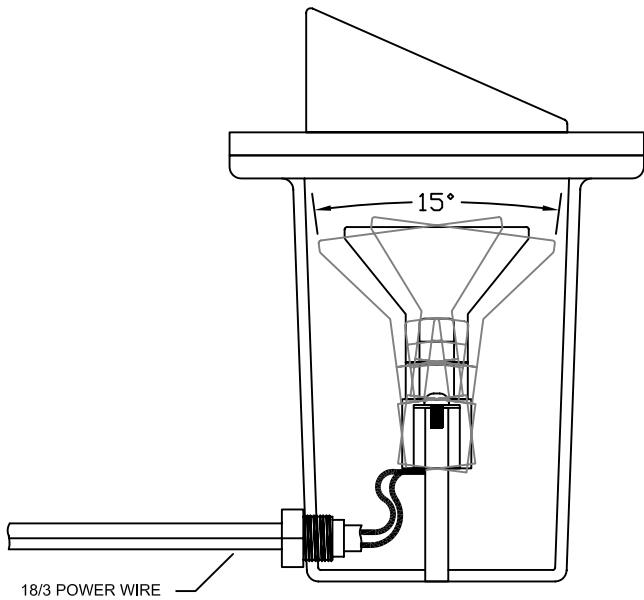
- 12 VOLT MR-16 IN 10, 20, 35 & 50 WATTS WITH A 12, 24, 36 & 60 DEGREE SPREAD. EXCEPTION: 10 WATT ONLY AVAILABLE IN 32 DEGREE SPREAD.
- 50 WATT MAXIMUM
- LED MR-16's

## LENS:

- 5mm CLEAR FORGED BOROSILICATE GLASS

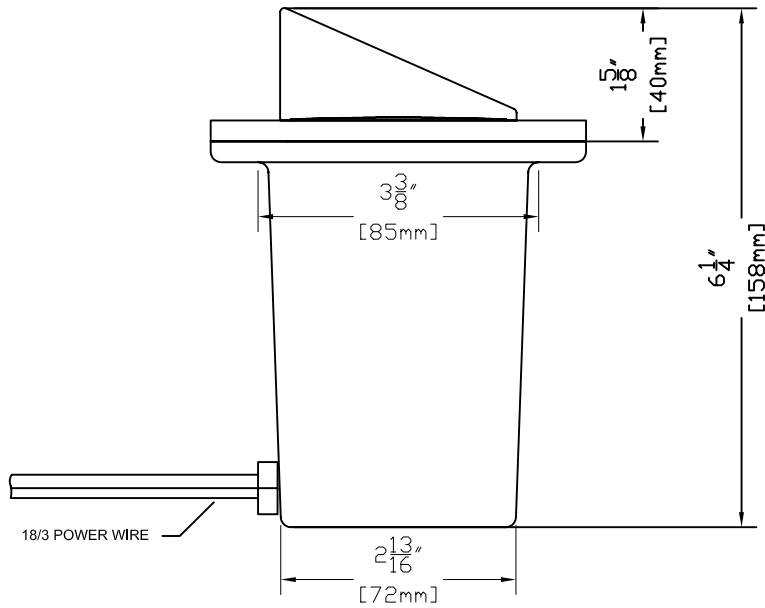
## ACCESSORIES:

- MR-16 HONEYCOMB LOUVER
- MR-16 LAMP CLIP HOLDER
- MR-16 CLEAR SPREAD LENS
- MR-16 PRISMATIC LENS
- MR-16 COLORED LENSES - SPECIFY
- 25ft & 50ft 16/2 LEADS AVAILABLE



18/3 POWER WIRE

SIDE VIEW WITH ROTATION

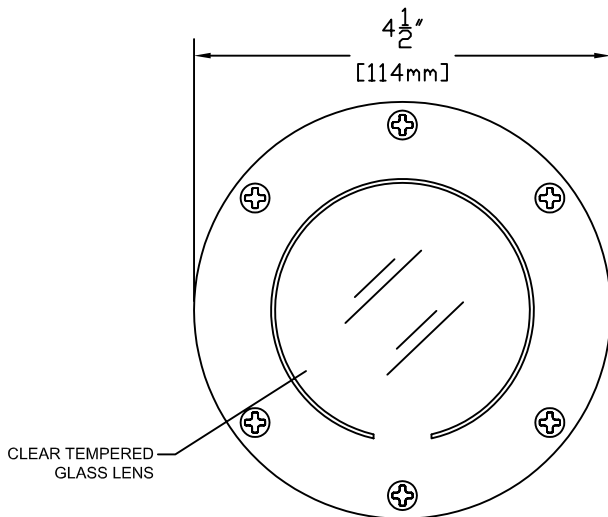


18/3 POWER WIRE

SIDE VIEW WITH DIMENSIONS



SHOWN IN ANTIQUE FINISH



CLEAR TEMPERED  
GLASS LENS

TOP VIEW WITH DIMENSIONS



CopperMoon WELL & INGROUND  
CM.390

901 3rd AVE.  
WEST POINT, GA. 31833  
1.800.727.5483  
www.coppermoon.com

SIZE	DRAWN BY:	CLASSIFICATION:	DATE:
A	CRAIG SANDERS	WELL & INGROUND	MARCH 30, 2010