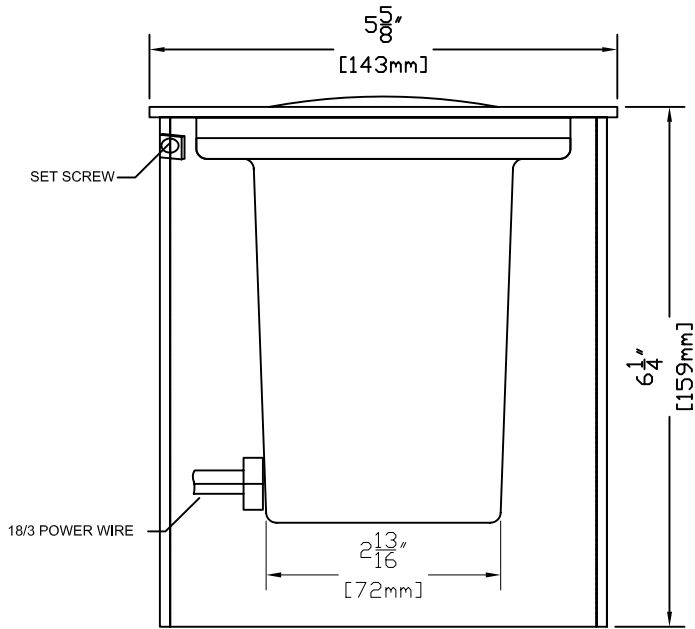
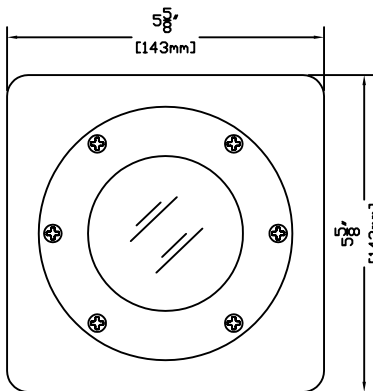


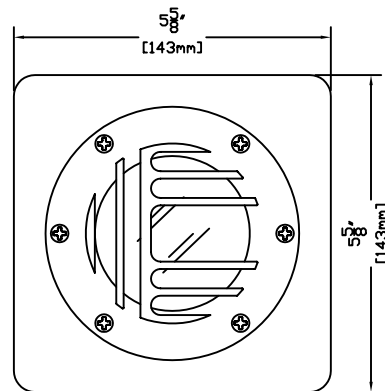
SIDE VIEW WITH ROTATION



SIDE VIEW WITH DIMENSIONS



CM.360 TOP VIEW



CM.360-G TOP VIEW

**FEATURES:**

- DIE CAST BRASS HOUSING
- DIE CAST FLUSH MOUNT PLATE
- DIE CAST BRASS GRATE
- DIE CAST BRASS EYEBROW (OPTIONAL)
- CORROSION RESISTANT PVC MATERIAL
- HIGH HEAT GASKET
- BERYLLIUM ARTICULATING 15 DEGREE +/- SOCKET WITH 6ft 18/3 POWERLEAD

**FINISHES:**

- RAW BRASS
- ANTIQU BRASS

**LAMPS:**

- 12 VOLT MR-16 IN 10, 20, 35 & 50 WATTS WITH A 12, 24, 36 & 60 DEGREE SPREAD. EXCEPTION: 10 WATT ONLY AVAILABLE IN 32 DEGREE SPREAD.
- 50 WATT MAXIMUM
- LED MR-16's

**LENS:**

- 5mm CLEAR FORGED BOROSILICATE GLASS FOR CM.360
- 5mm CLEAR SODA LIME GLASS FOR CM.360-G

**ACCESSORIES:**

- MR-16 HONEYCOMB LOUVER
- MR-16 LAMP CLIP HOLDER
- MR-16 CLEAR SPREAD LENS
- MR-16 PRISMATIC LENS
- MR-16 COLORED LENSES - SPECIFY
- 25ft & 50ft 16/2 LEADS AVAILABLE



CM.360-G SHOWN IN ANTIQUE FINISH



CM.360 SHOWN IN ANTIQUE FINISH



CopperMoon WELL & INGROUND  
CM.360 / CM.360-G

901 3rd AVE.  
WEST POINT, GA. 31833  
1.800.727.5483  
www.coppermoon.com

SIZE A	DRAWN BY: CRAIG SANDERS	CLASSIFICATION: WELL & INGROUND	DATE: MARCH 30, 2010
-----------	----------------------------	------------------------------------	-------------------------