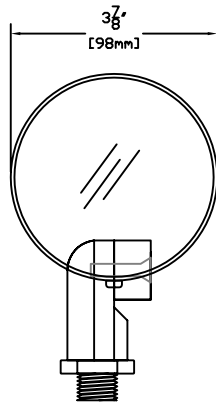
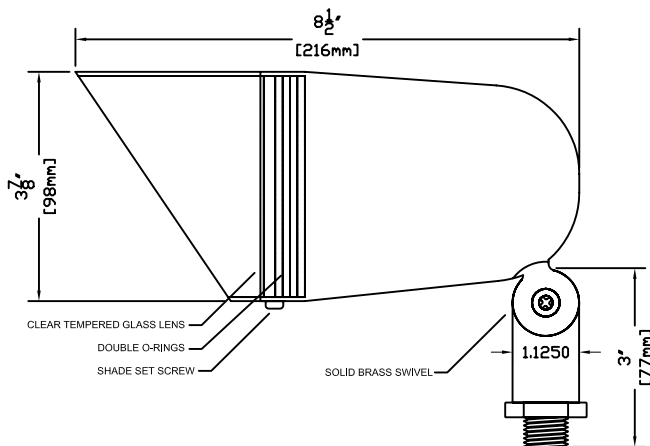


SIDE VIEW WITH ROTATION



FRONT VIEW



SIDE VIEW WITH DIMENSIONS

**FEATURES:**

- DIE CAST BRASS CONSTRUCTION
- SOLID BRASS SWIVEL/STEM
- DIE CAST BRASS SHROUD
- HIGH HEAT SILICONE O-RINGS
- BERYLLIUM SOCKET WITH 3.5ft 18/2 POWER LEAD

**FINISHES:**

- RAW BRASS
- ANTIQUE BRASS

**LAMPS:**

- 12 VOLT MR-16 IN 10, 20, 25, 50 & 75 WATTS WITH A 12, 24, 36 & 60 DEGREE SPREAD. EXCEPTION: 10 WATT ONLY AVAILABLE IN 32 DEGREE SPREAD.
- 75 WATT MAXIMUM
- LED MR-16's

**LENS:**

- 5mm CLEAR SODA LIME GLASS WITH BUILT IN DIFFUSER

**STANDARD MOUNTING:**

- BLACK ABS GROUND STAKE 8 3/4" LONG WITH FEMALE 1/2" NPT
- OPTIONAL BRASS GROUND STAKE 9 1/2" LONG WITH FEMALE 1/2" NPT

**OPTIONAL MOUNTS:**

- BRASS MOUNTING BRACKET 1/2" FEMALE NPT
- ALUMINUM TREE MOUNT 1/2" FEMALE THREADS, BROWN POWDER COAT FINISH
- COPPER STEM RISERS-1" DIAMETER STEM RISER WITH 1/2" FEMALE NPT OR 3/4" DIAMETER WITH 1/2" FEMALE NPT.
- AVAILABLE IN CUSTOM HEIGHTS.
- BRASS STEM RISERS-SAME SPECS AS COPPER (SOON TO BE RELEASED)

**ACCESSORIES:**

- MR-16 HONEYCOMB LOUVER
- MR-16 LAMP CLIP HOLDER
- MR-16 CLEAR SPREAD LENS
- MR-16 PRISMATIC LENS
- MR-16 COLORED LENSES - SPECIFY
- 25ft & 50ft 16/2 LEADS AVAILABLE



SHOWN IN ANTIQUE FINISH



CopperMoon BULLET & ACCENT  
CM.135

901 3rd AVE.  
WEST POINT, GA. 31833  
1.800.727.5483  
www.coppermoon.com

SIZE	DRAWN BY:	CLASSIFICATION:	DATE:
A	CRAIG SANDERS	BULLET & ACCENT	MARCH 30, 2010